

SPECIFICATION

Part No.: NSS-I90W



NEWSTAR LED Lighting

Features

- No UV or IR light radiation.
- Easy Installation
- Long lifetime: 50000 hours
- Correlated Color Temperature:2800-6500K
- AC85-265V input.
- Working Voltage: DC30-36V
- LED type: Philips SMD3030 LEDs
- IP65 Protection grade
- 3-5 Years Warranty
- CE, RoHS Certified

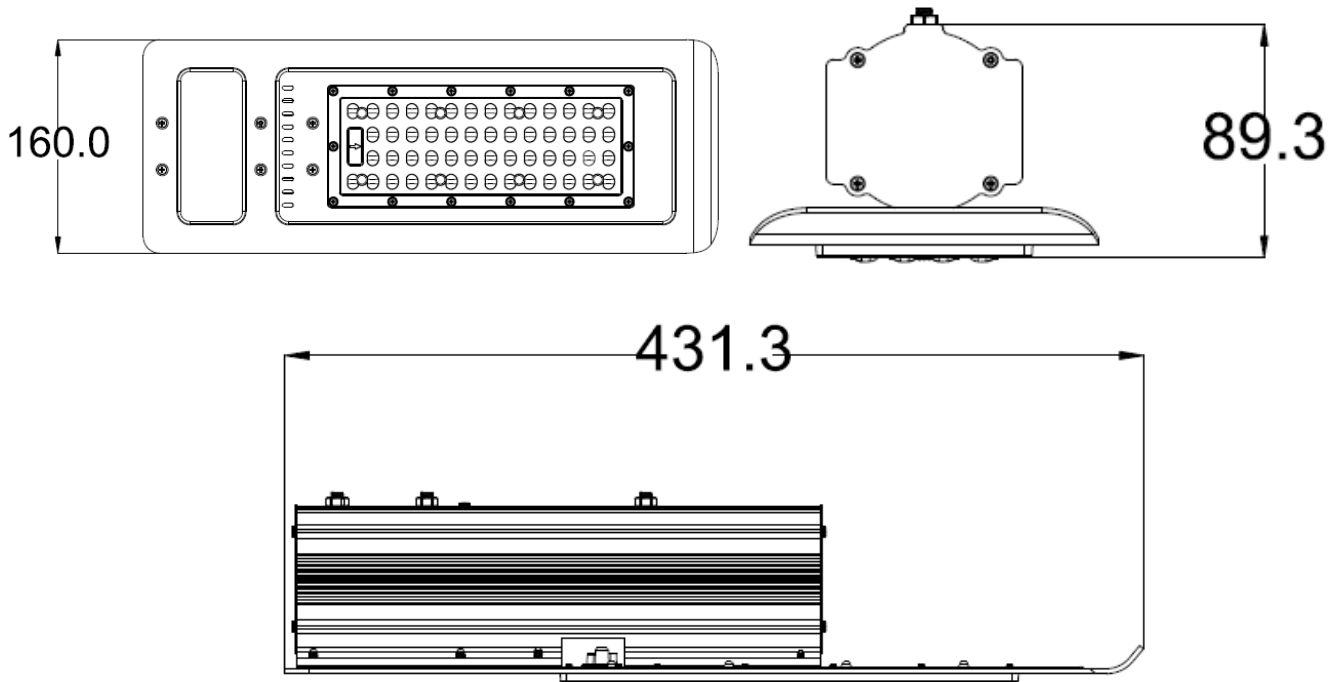


PHILIPS 3030



HLG SERIES

Size

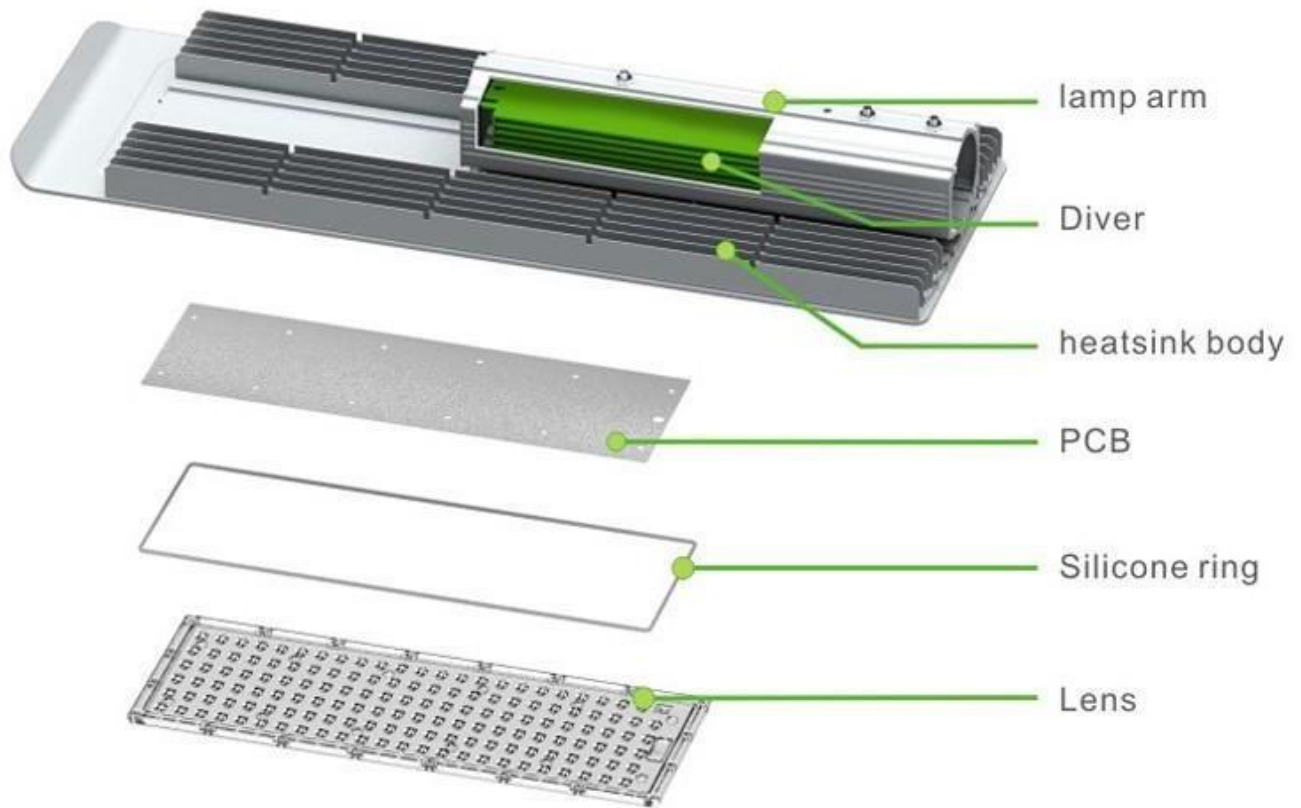


Technical Specifications

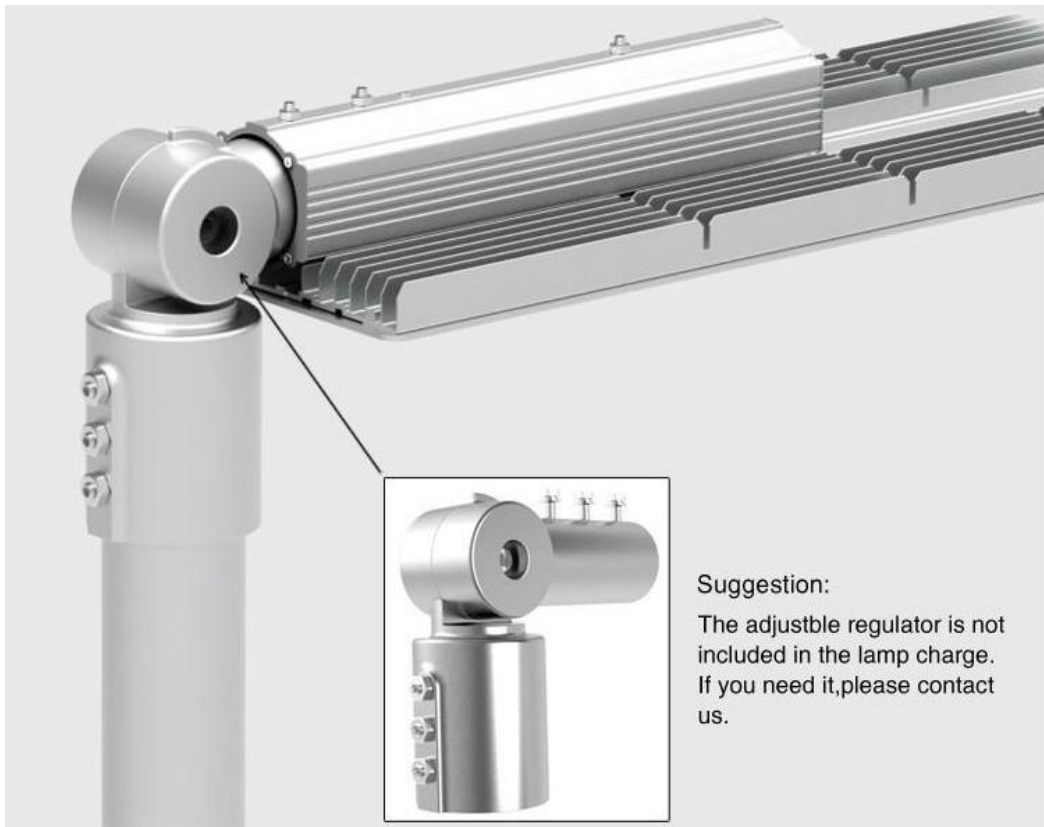
Power	90W	CRI	>80
Lumens	10000lm	Color Temperature	2800~6500K
Fixture efficiency	>0.97	Beam Angle	70*140°
Power Factor	>0.95	Frequency Range	50-60Hz
Light Source	Philips SMD3030 LEDs	Dimension (L*W*H)	432*160*90mm
Driver	CE Driver / Meanwell Driver	Working Temperature	-30°C ~+50°C
Body& Lampshade	Aluminum Alloy + PMMA	Package	48*22*15cm/1PCS/4KG

SPECIFICATION

Details

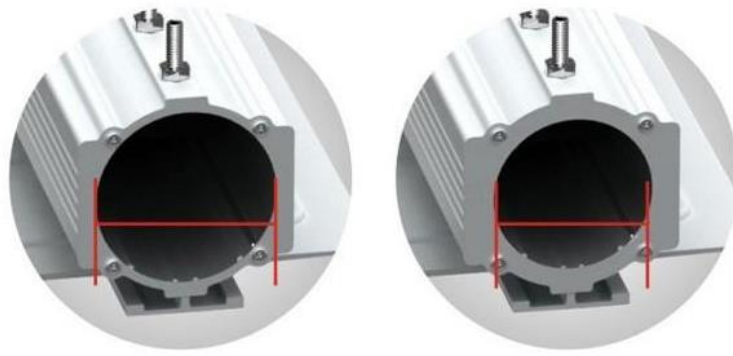


Adjustable Arm



SPECIFICATION

Two options



Package

60mm

40mm



SPECIFICATION

Application

- Freeway, highway.
- city cross road
- urban street
- Sidewalk, bridges
- park, sculpture and national green lighting project
- squares, stadiums, outdoor lighting
- Public green area lighting
- schools, residential, industrial park
- Other light sources



BOASTING A HIGHER COST PERFORMANCE

High Cost-Performance
Solution for Street Light Replacement

SPECIFICATION

Precautions

Installation:

Please read the installation instructions carefully before installation, and follow the prompts to strict specifications to operate

1. Make sure that power is turned off before installation to ensure safety.
2. By mounting holes on the mounting bracket product can be directly screwed to the mounting pole or wall mounting.
3. After fixing a good product, you can slightly loosen the screws on both sides of the bracket, and then convert the bracket to adjust the illumination angle of the lamp.
4. Working environment temperature $-30\text{ }^{\circ}\text{C}$ ---- $+50\text{ }^{\circ}\text{C}$. Humidity: 10% -90% RH.
5. Wiring joints, please do the installation of lighting waterproof seal 5. measures to prevent water and drain.
6. The non-dimming lighting fixtures, do not connect with any standard dimmer.
7. Please find a professional electrician to install, greeting connect wiring according to instructions on the label, make sure that a good grounding.

Caution:

1. This product is LED lamps protection class IP65, it is not suitable for swimming pools or other underwater sites.
2. To ensure proper use, please do not change the LED lamp structure. Any adverse please contact the manufacturer sales staff.
3. Regular cleaning of the floodlight glass, in order to maintain good lighting translucent.
4. regularly floodlight housing and radiator dust cleaning, in order to maintain good heat dissipation.

Packaging, transportation and storage requirements:

1. Product and packaging have corresponding clearly marked, do not mix;
2. Transport outside the box in strict accordance with the standard, sealing, taping, labeling paste (product name, quantity and other information);
3. Storage Requirements: Be careful not to drop the heavy beat and dumping, severe stress within the glass may shatter;
4. Storage period: 3 years after the dead line must be qualified after re-examining longer be used.

