

# Product Specifications

**Name:** Touch LED Controller

**Model:** NS-CON-TRF8B(T)-3CH-HV



## Summarization

This product is a novel LED controller developed by our company which can realize multistage touch dimmer. Adopting advanced touch design, through the panel controller combined with touch remote way, realize flexible control. Touch remote has good performance, beautiful, fashion, easy to use. This product suit for every occasions, such as: point light source, flexible strip, wall washer lamp, glass curtain wall light and such lighting controller.

## Main feature

- ① Touch-button, ultrathin, light quality, portable.
- ② Touch-key count up to 64, up to 64 kinds of mode function, small volume , more key fuction.
- ③ Easy to use, have color pulley touch screen, all sorts of design and color mode at a glance, can a single point also can continuous touch to realize color mode select, users can speedily choose the needed color, and the static and dynamic mode can change freely.
- ④ Auto dormancy function, the remote control is without buttons state more than 20 seconds, remote will automatic enter the standby state, realize save electricity, extending battery life.

# Product Specifications

## Technical Parameters

### Controller

- working temperature: -20-60 °C
- supply voltage: AC90-230V
- output: 3 channels
- connection mode: common anode
- external dimension: L130 X W40 X H31 mm
- packing size: L140 X W50 X H60 mm
- net weight: 200g
- gross weight: 250g
- static power: <1W
- output current: <500mA( each channel )

### Touch remote

- working temperature: -20-60°C
- power supply mode: AAA\*3 battery
- supply voltage: 4.5V
- static power consumption: 0.015mW
- standby current: 3uA
- work current: 300uA
- emission current: 10mA
- remote distance: 20m
- standby time: 6 months

### controller mode choice change as follows:

Mode number	Function	Remark
1	Static red	brightness is adjustable, Speed is unadjustable
2	Static green	
3	Static blue	
4	Static yellow	
5	Static purple	
6	Static blue-green	
7	Static white	
8	Three color jumpy changing	Speed is adjustable, brightness is unadjustable
9	Three color gradual changing	Speed is adjustable, brightness is unadjustable
10	Seven color jumpy changing	Speed is adjustable, brightness is unadjustable
11	Seven color gradual changing	Speed is adjustable, brightness is unadjustable

# Product Specifications

## Controller instruction:

### 1. Controller panel have 6 buttons, and the function as follows:

ON/OFF: you could turn on/off controller at any time;

MODE: the color change button, there are 21 modes of change for you to choose;

B+: A brightness control button, the grade of the brightness add 1 by each pressing, a total of 100 grades;

B-: The grade of the brightness subtract 1 by each pressing;

S+: The grade of the speed change add 1 by each pressing, a total of 100 grades.

S-: The grade of the speed change subtract 1 by each pressing.

## Remote instruction:

### 1. Touch remote have 64 touch key, each keys function below:



: you can turn on/off controller output at any time;



: pause key, on the dynamic mode, you can make the controller to stop the current state now;



: this key have two functions:

①M+ is mode choose key, so when the current control mode is pulley mode(color), if you want to realize the mode(color) of M+ key, can press this button.

②M+ is mode switch key, so when the current control mode is "M" key mode, can press this button to switch the mode(color) which state in the M key mode table.



: this key have 2 functions:

①M- is mode choose key, so when the current control mode is pulley mode(color), if you want to realize the mode(color) of M- key, can press this button.

②M- is mode switch key, so when the current control mode is "M" key mode, can press this button to switch the mode(color) which state in the M key mode table.



: the output signal brightness control, every time you press this button, the brightness series add 1, altogether 100 levels;



: the output signal brightness control, every time you press this button, the brightness series minus 1, altogether 100 levels;



: the output signal speed control, every time you press this button, the speed series add 1, altogether 100 levels;



: the output signal speed control, every time you press this button, the speed series minus 1, altogether 100 levels;

# Product Specifications



: Multicolor pulley touch key, static mode choose key, more than 60 touch points.  
The button has two functions:

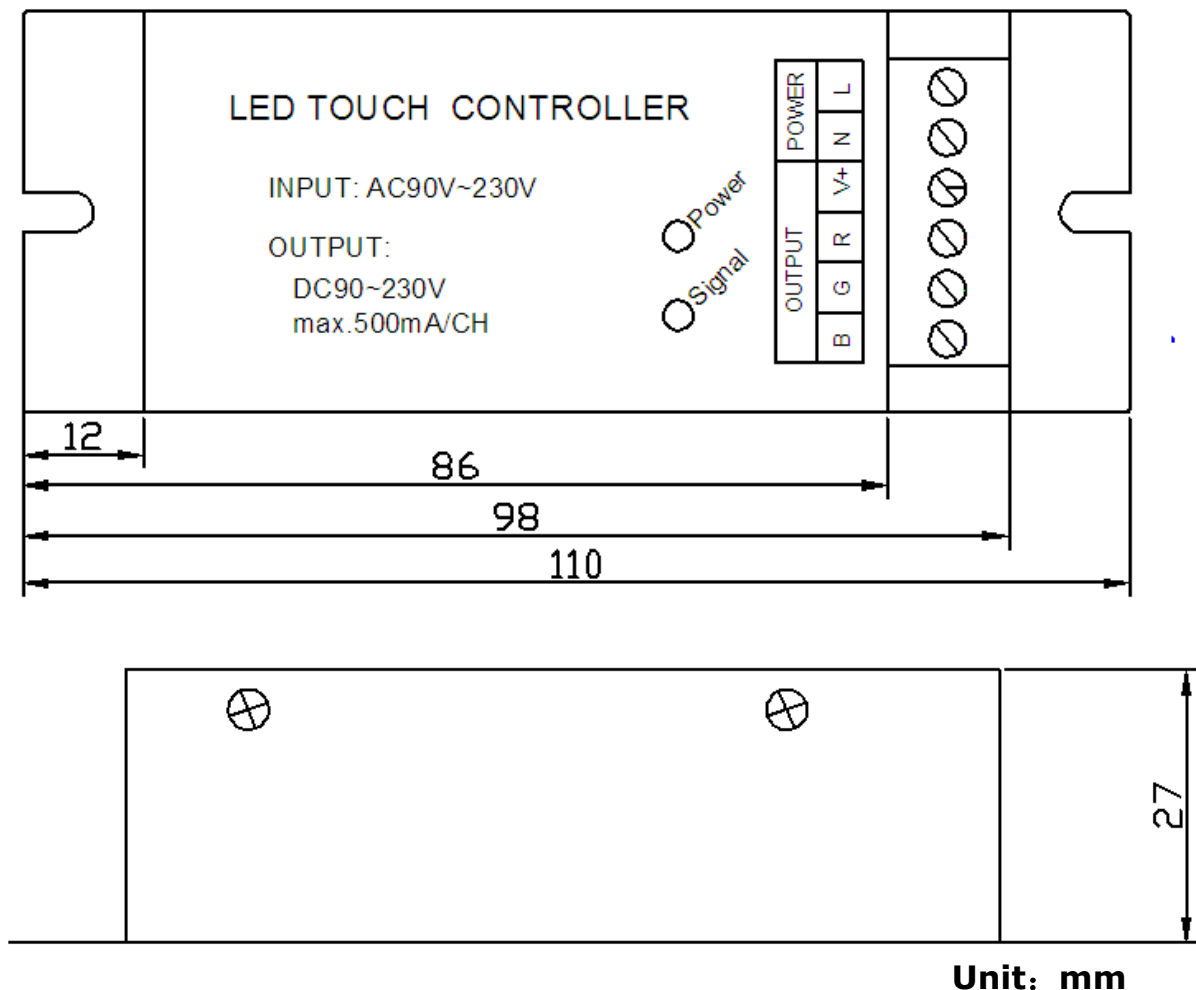
- ① Pulley static color choice key, so when the current control mode is M key mode (color), if must realize pulley static color, can press this key.
- ② Pulley color switch key, can change from 60 kinds of static colors (as the pulley shown))

**2. Power supply management:** stop to use the remote more than 20s, the remote will enter the standby state (untouchable state), to extend the battery life; slightly shake once, then the remote will come back to the normal working state (touchable state).

### 3. Indicator light instruction:

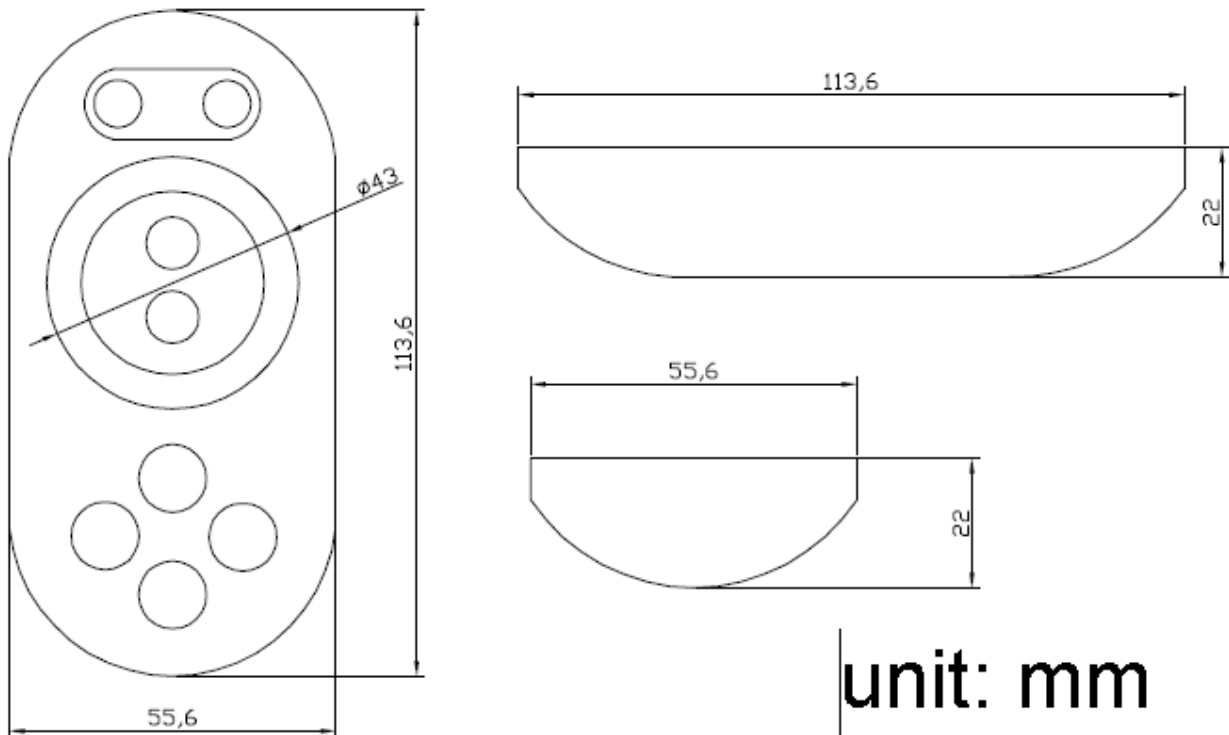
- ① The remote is in working mode (touchable) when the PWR is bright, PWR is off, then means the remote is in standby state (slightly shake once, then it can touch normally);
- ② RF is bright, that means detected touch button, off means there is no touch button can press.

### Controller External Dimension:



# Product Specifications

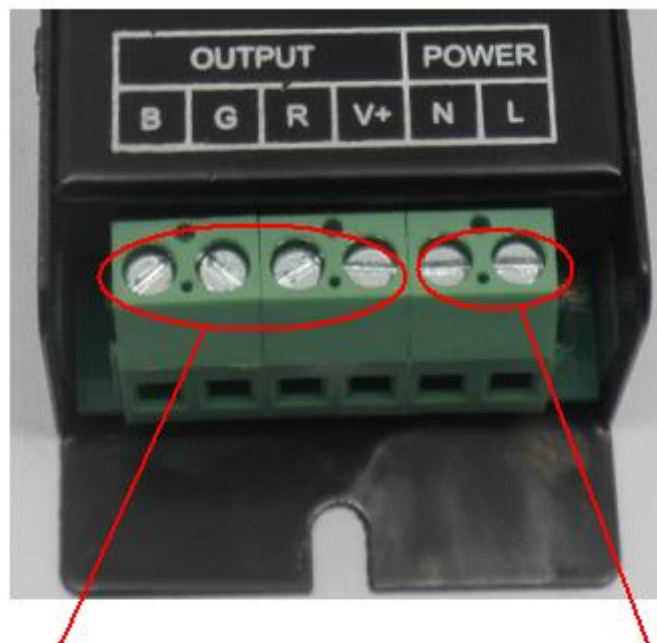
## Remote External Dimension:



unit: mm

## Interface Specification

Input/output interface:

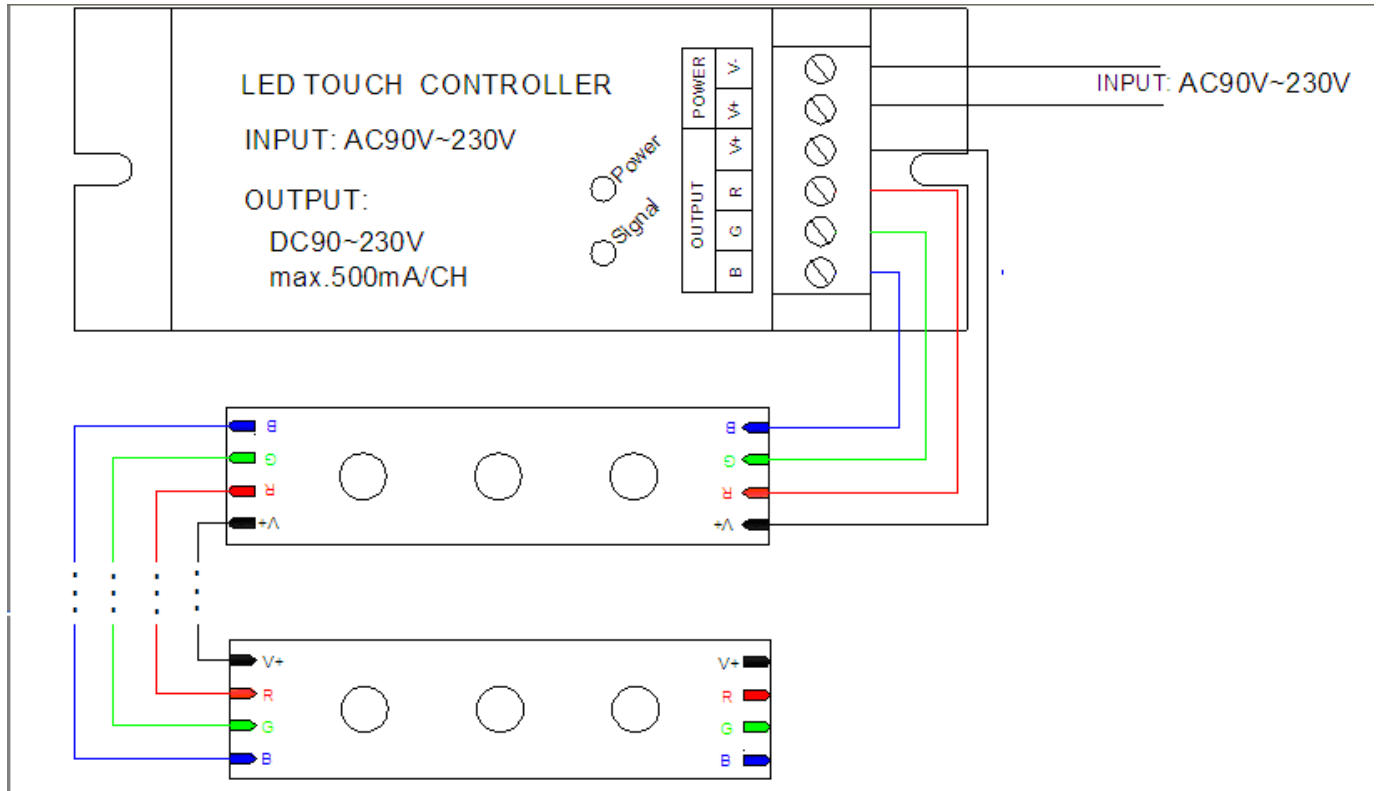


OUTPUT: DC90-230V    INPUT: AC90-230V

Adopt male and female connector with screw.

# Product Specifications

## Typical Application



### Remarks:

- 1, Connect the load wire at first, following by the power wire; **Please ensure short circuit can not occur between connecting wire before you turn on the power;**
- 2, Power supply voltage range is DC12~24V, more than voltage range maybe will burnout the controller.
- 3, Touch remote when not use for a long time, suggest to take down the battery.